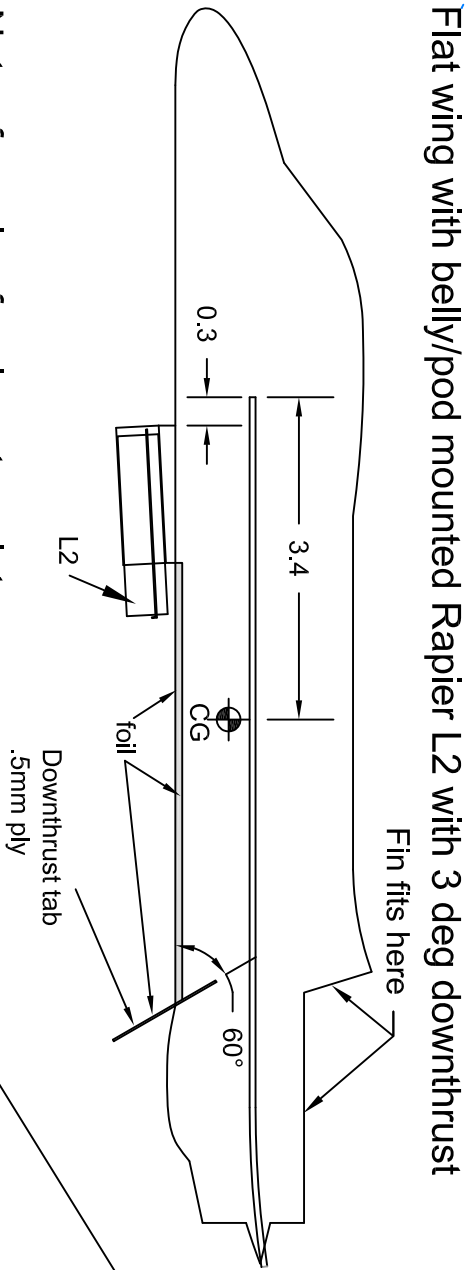


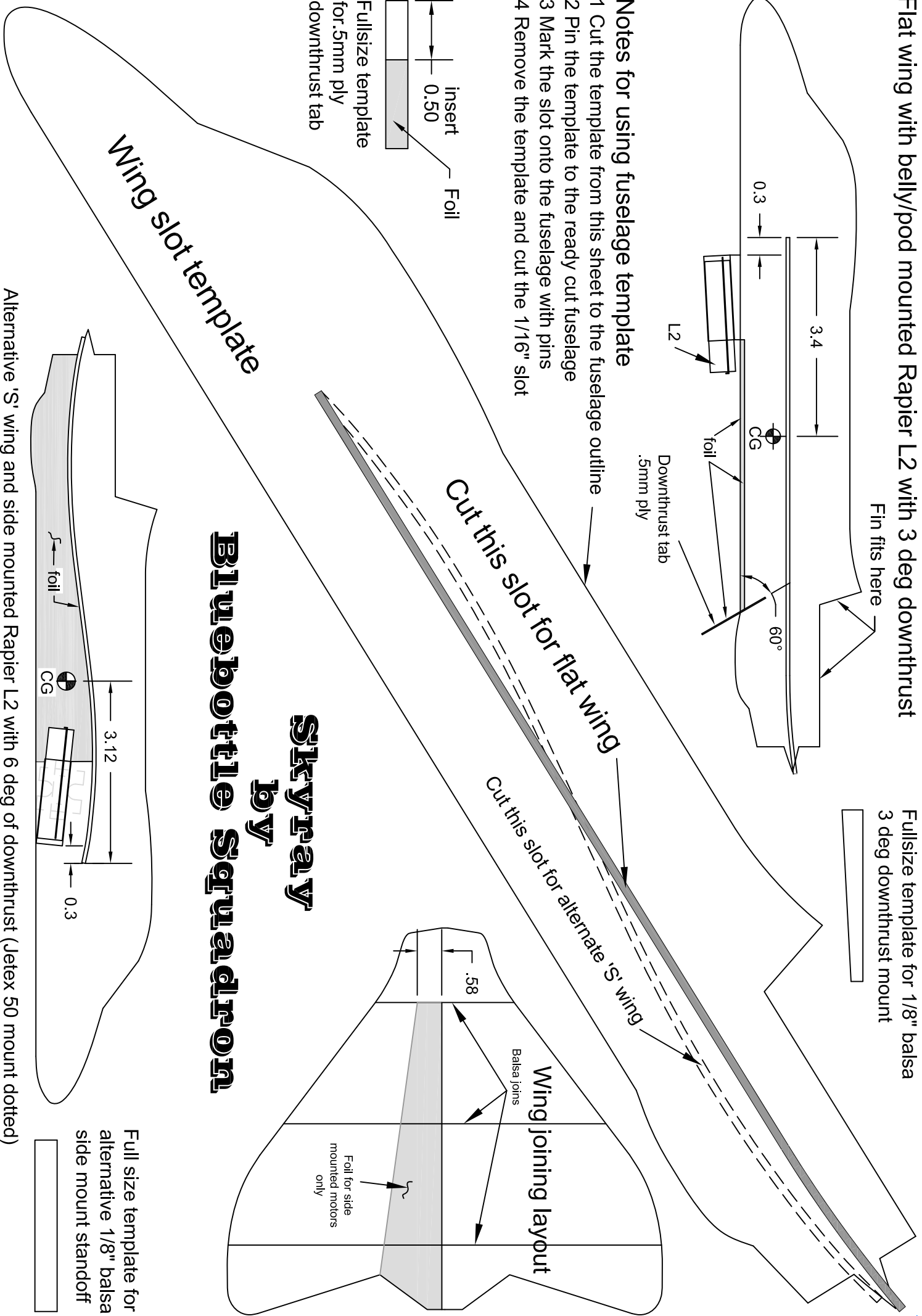
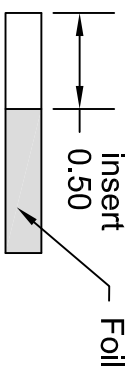
Flat wing with belly/pod mounted Rapier L2 with 3 deg downthrust



Fullsize template for 1/8" balsa
3 deg downthrust mount

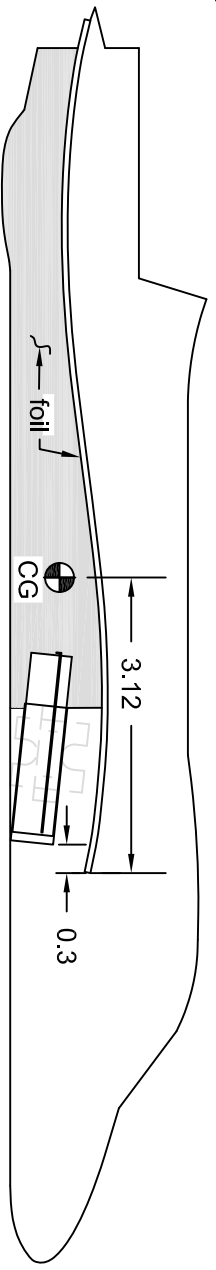
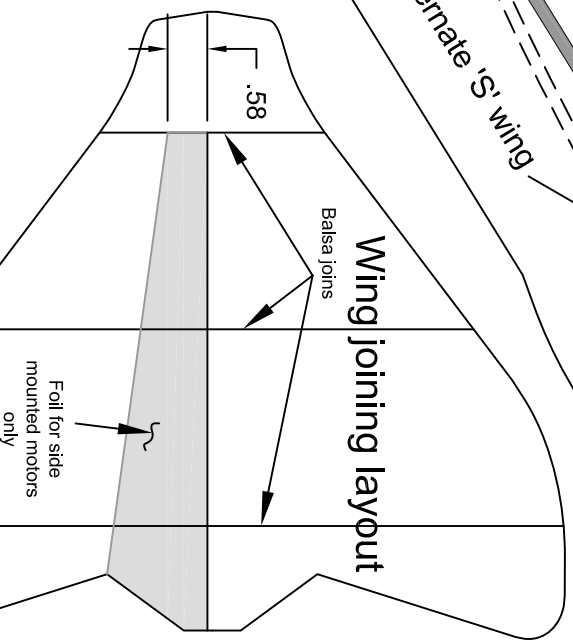
Notes for using fuselage template

- 1 Cut the template from this sheet to the fuselage outline
- 2 Pin the template to the ready cut fuselage
- 3 Mark the slot onto the fuselage with pins
- 4 Remove the template and cut the 1/16" slot



SKYRAY by Bluebottle Squadron

Wing joining layout



Alternative 'S' wing and side mounted Rapier L2 with 6 deg of downthrust (Jetex 50 mount dotted)

Full size template for
alternative 1/8" balsa
side mount standoff